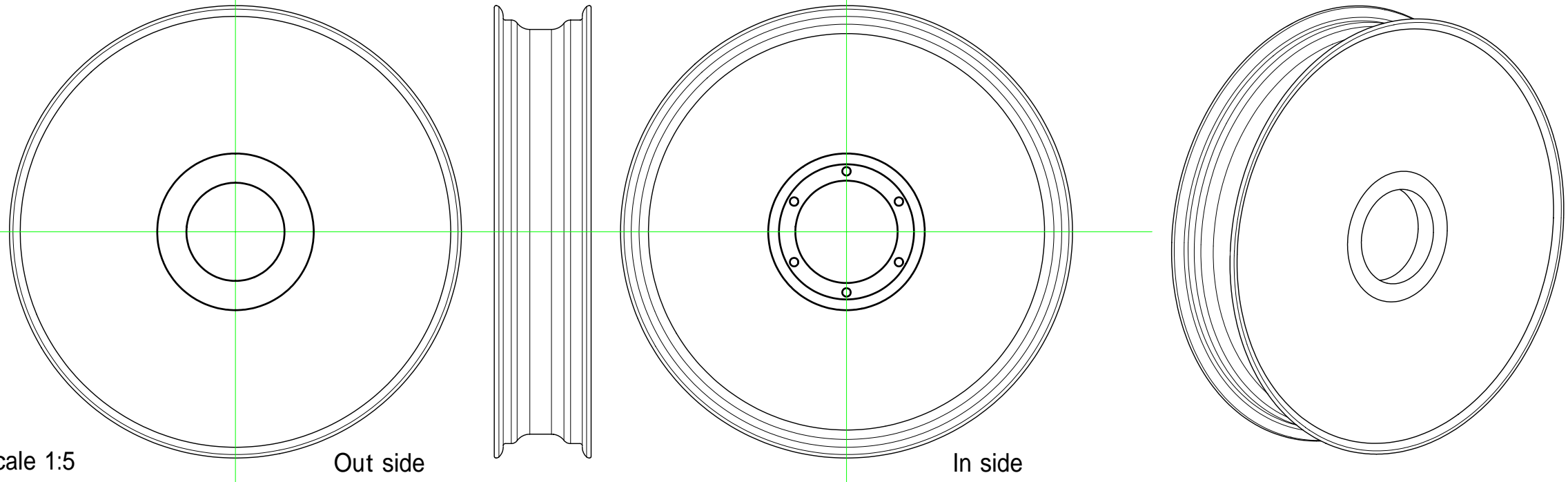


No.	REVISION	RECORD	DATE	REVR.
1	Correction of offset		2013/4/12	A



Scale 1:5

Out side

In side

433.3

94

Metal : A5052-H34

CF/AL Honeycomb core composite

22.8

8

Motor/Hub interfece

Metal : A2017-T3

△offset 22.3

P.C.D 116

6- 8 x 4.0 dowel pin holes

mitsuba M1596D

MICHELIN 95/80 R16

76

92

- Material: CFRP
- Autoclave molding
- Finish: Urethane clear coting
- Nominal Rim Size: 16 x 3.00
- Rim/Hub Monocoque Construction
- Weight: 1800g
- Designed Wheel Load: 100kgf
- Air Pressure Resistance: 6.0kg/cm2
- Solar Car Race Exclusive use
- Compatible Tire: MICHELIN radial 95/80 R16

PROJECTION METHOD		TOLERANCE METHOD		QTY.	1	MASS	1.8	kg	
HEAT AND SURFACE TREATMENT				SCALE		1:1			
				PART NAME		CFW solar-powered car 16inch			
APPROVED	APPROVED	CHECKED	DRAWN	DRAWING NO.					
	田村	柳沢	柳沢	CFW-S16-94C					
REFERENCE				2013/3/19	2012/4/3	2012/4/3			
				GH Craft LTD.					

733 ITAZUMA GOTENBA-SHI SHIZUOKA JAPAN ZIP412-0048  
PHONE 0550-89-8680 FAX 0550-89-8682